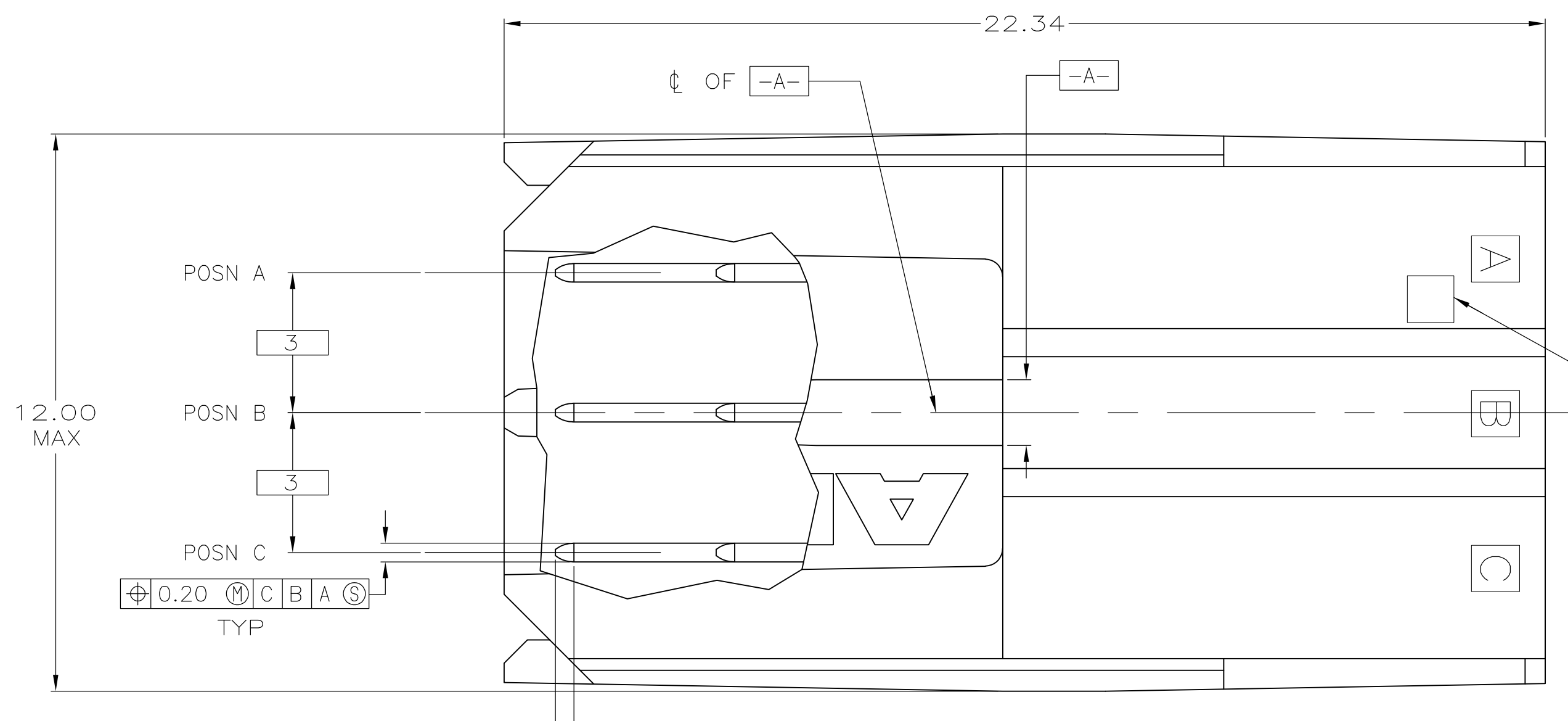
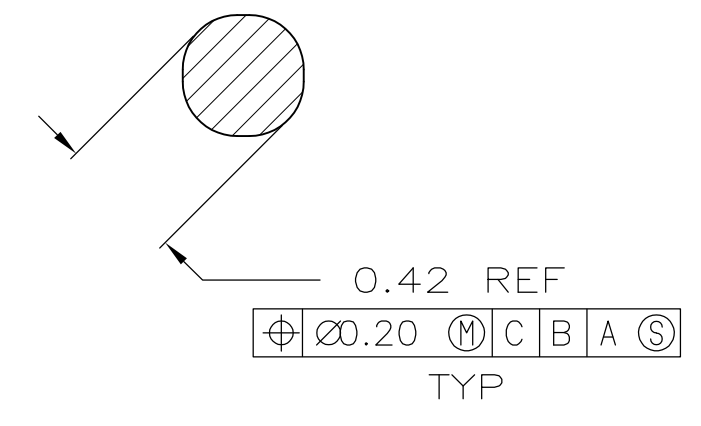
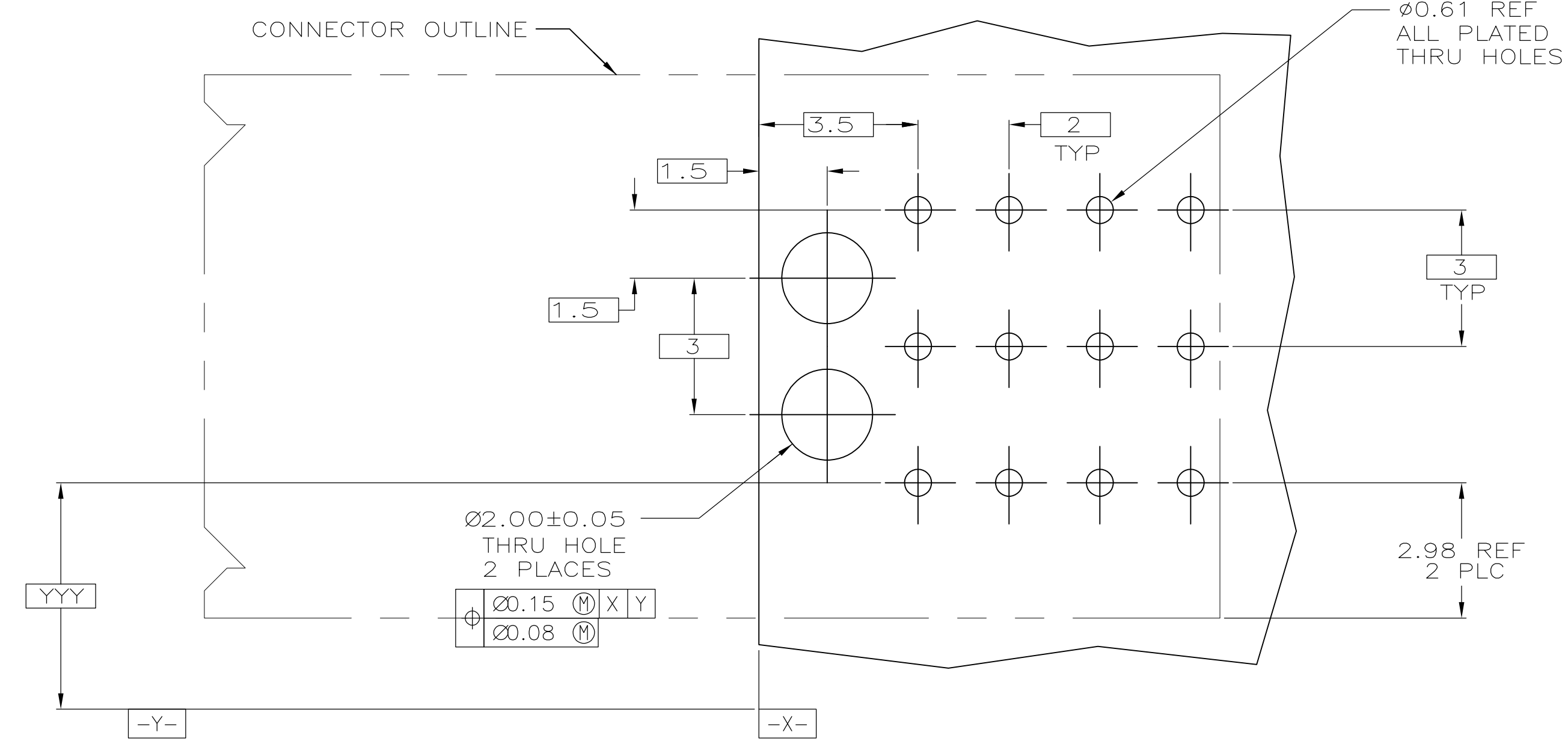
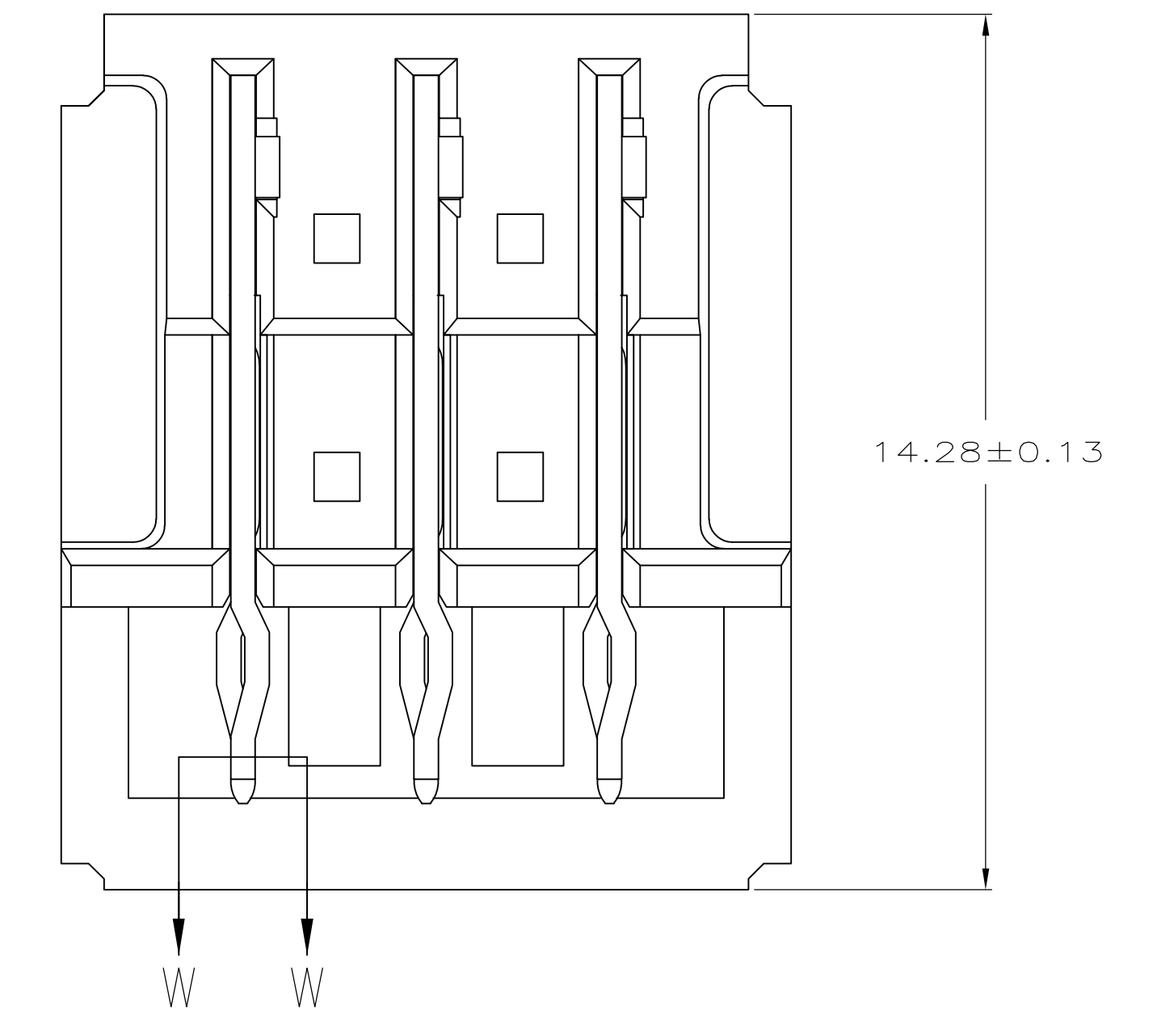
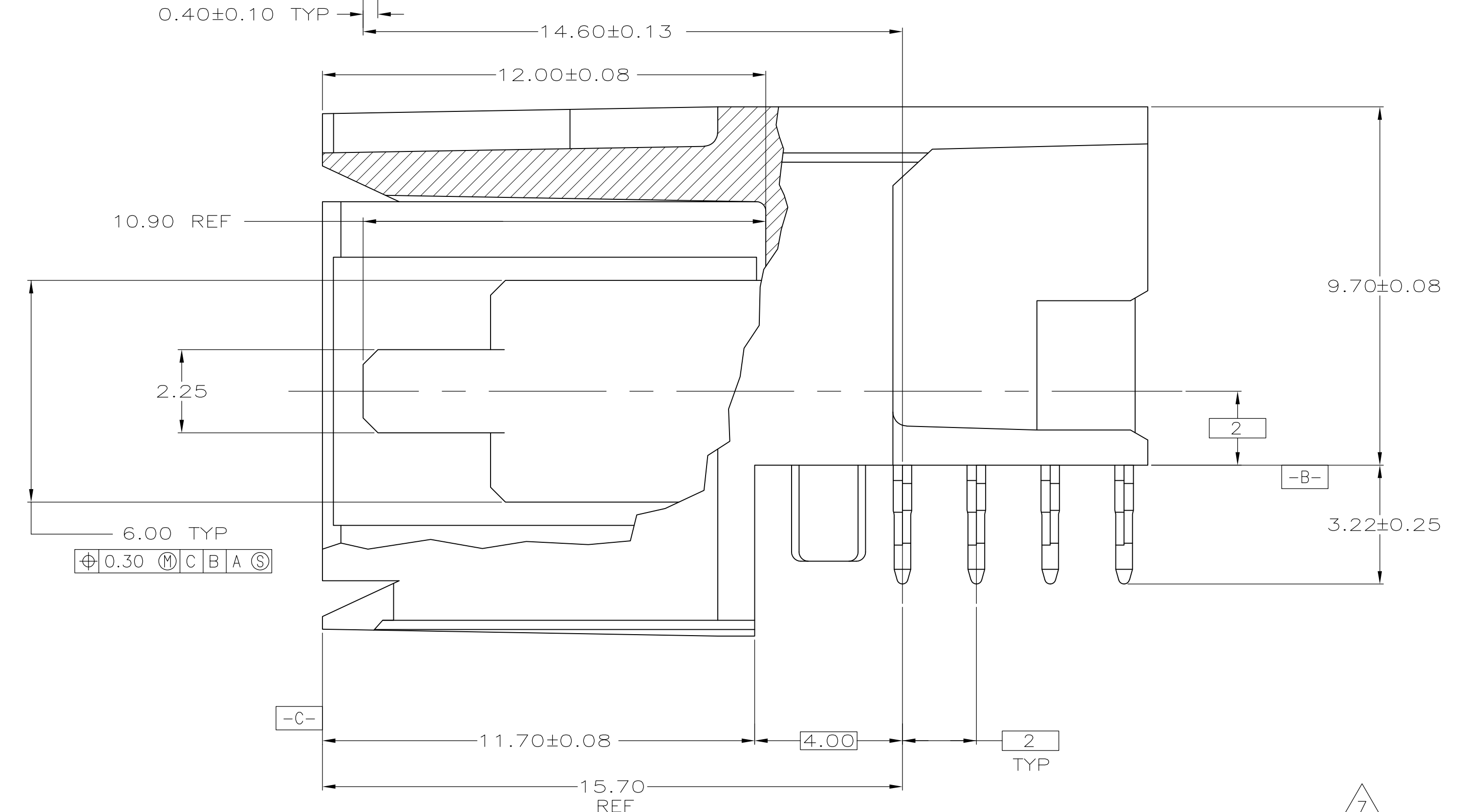
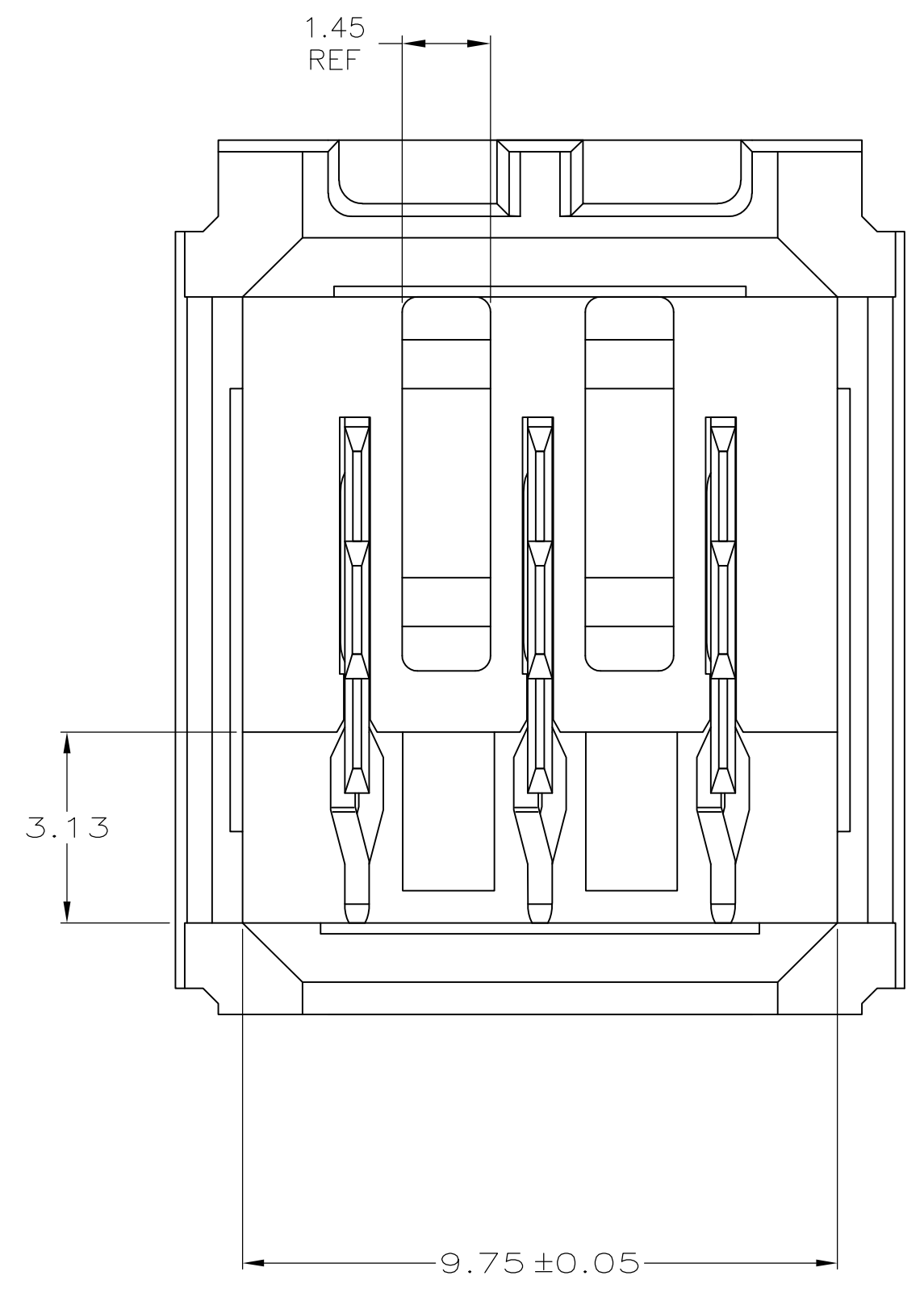


LOC		DIST		REVISIONS			
AD	00	REV	DATE	BY	APPV	DATE	BY
C		REVISED PER	ECO-11-015883	100CT11	KH	DY	



- 1 MATERIAL: HOUSING: POLYESTER. COLOR: GRAY. 94V-0  
CONTACT: PHOSPHOR BRONZE.
- 2 FINISH: CONTACT MATING AREA: 1.27µm MIN GOLD OR 0.08µm MIN GOLD OVER  
0.76µm MIN PALLADIUM-NICKEL  
ACTION PIN AREA: 0.5µm MIN TIN PLATE,  
ALL OVER 1.27µm MIN NICKEL UNDERPLATE.
- 3 FINISH: CONTACT LUBRICATION WITH BELLCORE APPROVED LUBRICANT,  
TECHNICAL REFERENCE: TR-NWT-001217, ISSUE 1, SEPTEMBER 1992.
- 4 MATERIAL: HOUSING: LCP; COLOR: RED. 94V-0  
CONTACT: PHOSPHOR BRONZE.
- 5 NUMBER "3" MARKED IN THIS AREA.
- 6 MATERIAL: HOUSING: POLYESTER. COLOR: GRAY. 94V-0  
CONTACT: HIGH CURRENT COPPER ALLOY.
- 7 REFERENCE APPLICATION SPEC 114-1103 FOR  
RECOMMENDED PLATED THRU HOLE DIAMETER AND  
PLATING THICKNESS.
- 8 CURRENT RATING 10A/CONTACT FOR PHOS BRONZE CONTACTS  
AND 16A/CONTACT FOR HIGH CURRENT COPPER ALLOY CONTACTS  
PER PRODUCT SPEC 108-1651.



SECTION W-W  
SCALE 40:1

2 3 6	5-5223961-1
1 2 3 5	5223961-8
1 2 3	5223961-1
MATERIAL/FINISH	PART NUMBER

DIMENSIONS:		TOLERANCES UNLESS OTHERWISE SPECIFIED:		MATERIAL:		FINISH:		WEIGHT:		CUSTOMER DRAWING:	
mm	PLC	mm	PLC	mm	PLC	mm	PLC	mm	PLC	mm	PLC
0.15	±	0.15	±	0.15	±	0.15	±	0.15	±	0.15	±
0.08	±	0.08	±	0.08	±	0.08	±	0.08	±	0.08	±

RECOMMENDED PCB HOLE LAYOUT